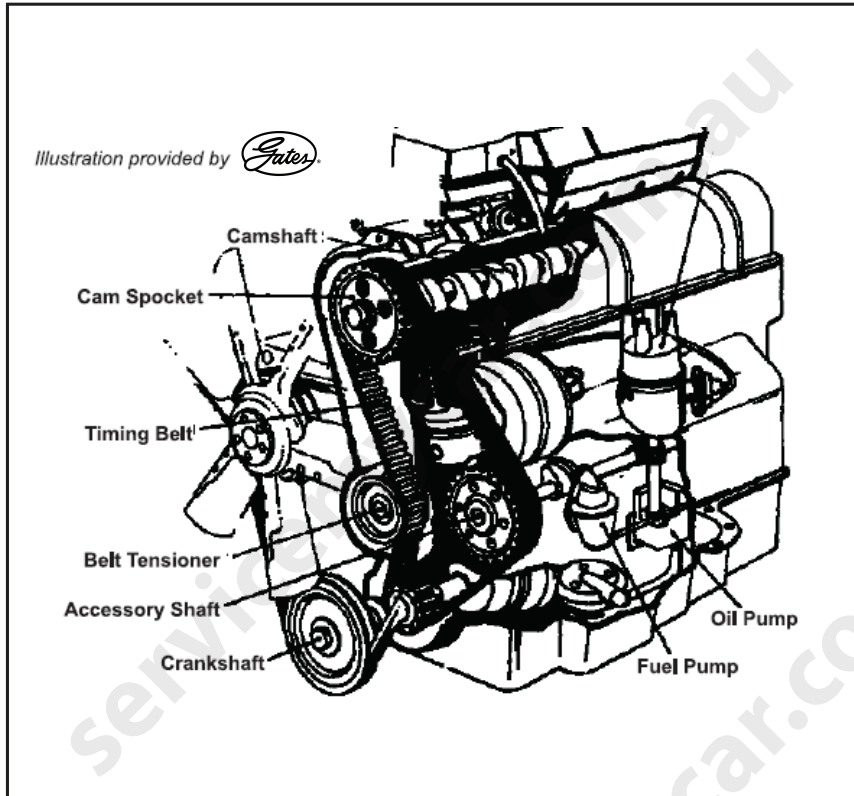
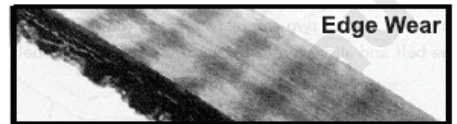
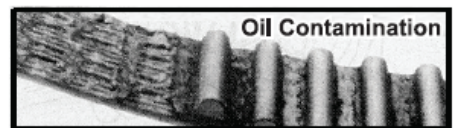
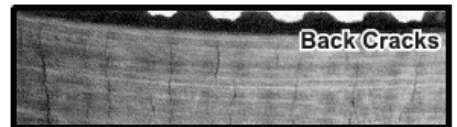
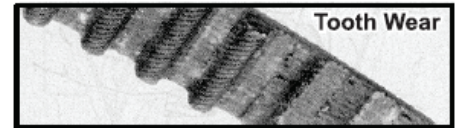
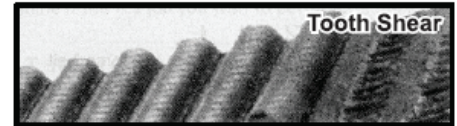


Pictures and diagrams are shown for illustration purpose only. NOT vehicle specific.

Timing Belt Layout



Troubleshooting



Symptoms

Probable Cause

Corrective Action

Tensile Failure

1. Foreign body in drive
2. Excessive installation tension
3. Belt crimped due to improper handling

- Corrective fit cover
- Install proper Tension
- Observe handling instructions

Tooth Shear

1. Low tension
2. Seizure of driven part

- Correct tension
- Investigate cause

Tooth Wear

1. Incorrect tension
2. Worn pulley

- Correct tension
- Replace pulley

Back Cracks

1. High temperature
2. Low temperature

- Investigate cause
- Investigate cause

Land Wear (wear between teeth)

1. Excessive tension
2. Rough pulley(s)

- Correct
- Replace pulley(s)

Oil Contamination

1. Oil leak

- Replace faulty oil seal(s)

Edge Wear

1. Flange damage
2. Misalignment

- Replace pulleys
- Realign pulleys

Noise

1. High tension
2. Low tension
3. Misalignment
4. Damaged flange

- Correct tension
- Correct tension
- Replace pulleys
- Replace flange